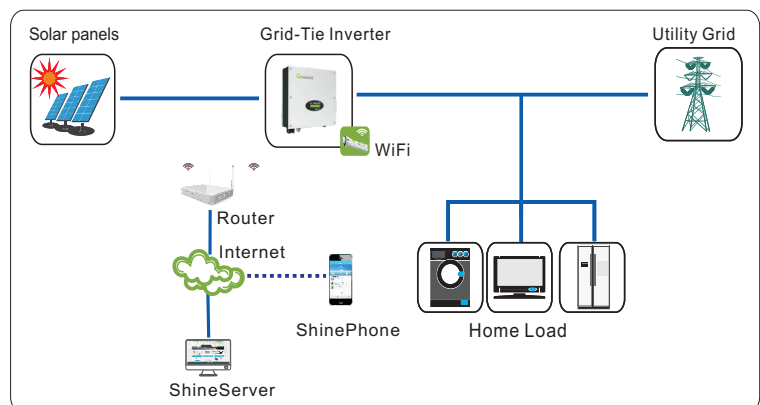




Newly recommended for house-owners

- ▶ Easy to use
- ▶ Plug-and-play commissioning
- ▶ 100-meter wireless connection to inverter
- ▶ Remote firmware updating for inverter
- ▶ Free online monitoring via Shine Server



GROWATT NEW ENERGY TECHNOLOGY Co.,LTD

A: No.28 Guangming Road, Longteng Community, Shiyao, Baoan District, Shenzhen, P.R.China.

T: + 86 755 2747 1900 F: + 86 755 2749 1460 E: info@ginverter.com

Datasheet

ShineWiFi

General Data

Dimensions(Length/Width/Height)	135/79/29 mm
Weight	63g
Software language	English, Chinese
Language of the manual	English, Chinese

Wireless Parameters

Certification	FCC/CE
Wireless type	WiFi
Wireless standard	802.11 b/g/n
Frequency range	2.412GHz ~ 2.484GHz
Antenna gain	2.5 dBi
Transmit power	802.11b: +20dBm(Max.) 802.11g: +18dBm(Max.) 802.11n: +15dBm(Max.)
Receiver sensitivity	802.11b: -89dBm(Max.) 802.11g: -81dBm(Max.) 802.11n: -71dBm(Max.)

Hardware Parameters

Data interface	UART : 9600bps Ethernet : 100Mbps
Operating voltage	9V(+/-15%)
Operating current	100mA ~ 300mA
Operating temperature	-25°C ~ +55°C
Storage temperature	-30°C ~ +60°C
Network type	AP(Access Point) Mode; Station Mode(with Soft AP)

Software Parameters

Security mechanisms	WEP/WPA-PSK/WPA2-PSK/WAPI
Encryption	WEP64/WEP128/TKIP/AES
WLAN default IP	192.168.10.100

Application Parameters

Supported servers	ShineServer
Inverter communication	RS232(Modbus RTU protocol)
Server communication	WiFi via router(Modbus TCP protocol)
Supported routers	Wireless router(Include 3G router)
User configuration interface	Integrated web server(Internet browser)
Max.communication range	100m
Data transfer interval	5 Minutes
Default server URL	server.growatt.com

Others

Warranty	1 year
----------	--------